

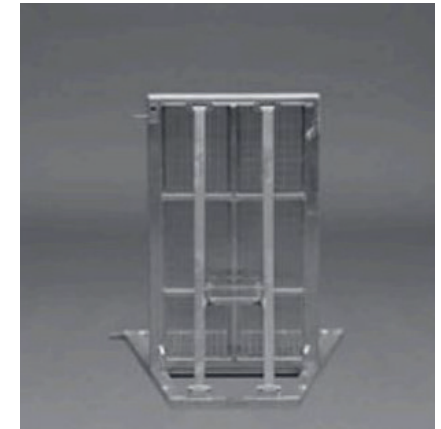
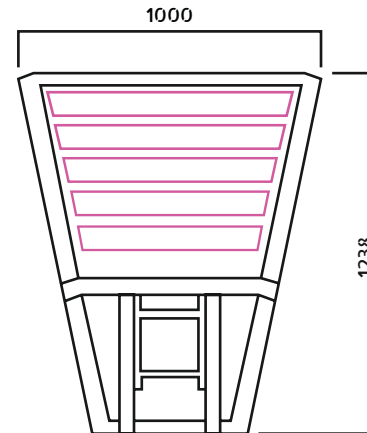
MOJO[®] BARRIERS



22.5° POSITIVE CORNER (PINK)

Use in high crowd pressure areas: ★★★★★

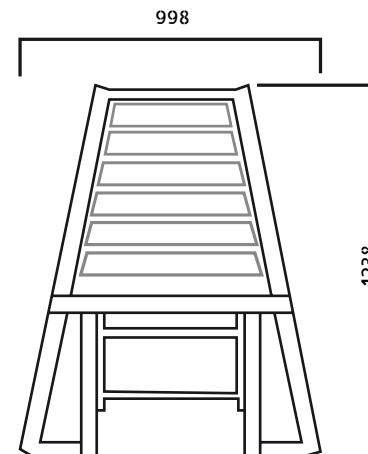
A fixed corner section 22.5° with full floorplate. double brace and small rear step. „Positive“ means moving away from the crowd, usually towards the stage. Nicknamed Pink as its colour mark is pink for easy recognition on site by anyone installing the equipment.



22.5° NEGATIVE CORNER (WHITE)

Use in high crowd pressure areas: ★★★★★

The direct opposite of Pink is the fixed negative 22.5° corner section with a full floorplate, double brace and rear step. „Negative“ means moving towards the crowd, usually away from the stage. Nicknamed White for its white colour mark for easy recognition.





Both Pink and White have complete floorplates and braces, ensuring continuous strength of the barrier lines. Furthermore, they can easily be used in combination with other corner sections to design wide and smooth shapes. Colours are present on the braces to make recognition easy. Typical usage would be around catwalks and thrusts in front of a stage.

TECHNICAL SPECS

- » Same material specifications and looks similar to the straight barrier
- » Fixed angle of 22.5°
- » Positive Corner = Pink
- » Negative Corner = White
- » Both with full floorplate and braces
- » Rear step on both White and Pink
- » Strength contained by floorplate coverage and braces
- » Connects to adjoining section by one single bolt
- » Also available with black upright

