

MOJO[®]

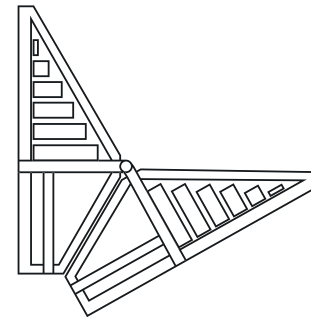
BARRIERS



VARIO CORNER

Use in high crowd pressure areas: ★★★★★☆

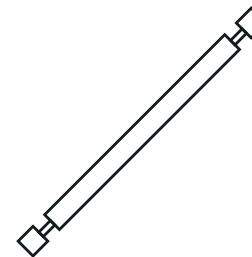
A middle hinged corner section with partial footplate and braces, the Vario allows barrier designs to be shaped in any angle without compromising system strength. This section allows for creating a variable angle in a barrier line, ranging from -60° to $+60^{\circ}$. Ideal for use on secondary barricade lines.



FLEX CORNER

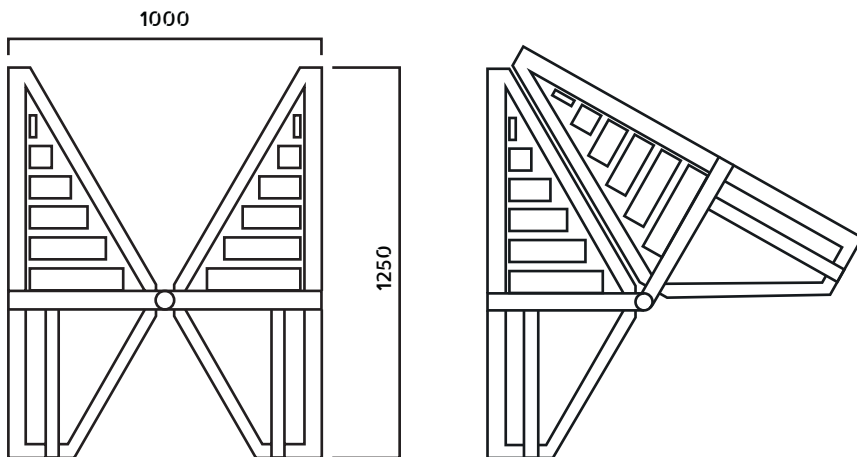
Use in high crowd pressure areas: ★★☆☆☆

A double hinged corner section without footplate, the flex is solely a vertical part, to be connected to adjoining barrier sections. This enables the flex to angle in any shape wanted, varying from -90° to $+90^{\circ}$ and has the limited option to negotiate height and width. Ideal to go around camera platforms or mix positions.



TECHNICAL SPECS VARIO CORNER

- » Same material specifications and looks similar to the straight barrier
- » Enables barrier designs to be shaped in variable angles
- » Angles ranging from -60° to $+60^{\circ}$
- » Partial floorplate and braces secure strength of the section
- » Set angle fixation and additional connection upright to floorplate by one built-in bolt
- » Connects to adjoining section by one single bolt
- » also available with black upright



TECHNICAL SPECS FLEX CORNER

- » Same material specifications and looks similar to the straight barrier
- » Angles from -90° to $+90^{\circ}$
- » Attached to adjoining barrier section with a single bolt and fixed coupling in top rail
- » No floorplate
- » Able to negotiate small height and width differences
- » Also available in black

